

# SINGLE POST PORTABLE LIFT

*AMGO's portable single post lift rolls smoothly across any flat surface and can be used indoors or outdoors. It's the perfect choice for any commercial service shop that needs to utilize less space.*



SML-7

## Main Features

- ✓ 7,000lbs capacity, portable single post lift.
- ✓ Max. lifting height: 77 3/4" (1976 mm)
- ✓ Min height: 4 3/8" (110 mm)
- ✓ Self-lubricating UHMW Polyethylene sliders and a self-lubricating bronze bushings.
- ✓ High quality cylinders and power units are manufactured to high quality standards.
- ✓ AMGO 5-3-2 Warranty.



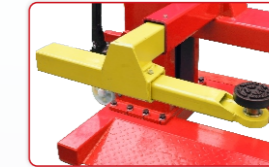
"Pallet jack" style device allows the lift to be moved wherever you need it.



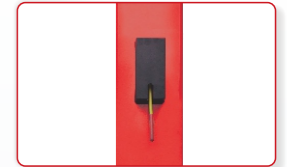
Features insert and screw rubber pads.



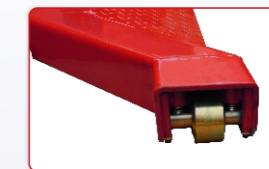
The chain protection cover prevents the chain from slipping off.



Adjustable arms with two stage positions.



A manual locking safety release device controls the double locks.

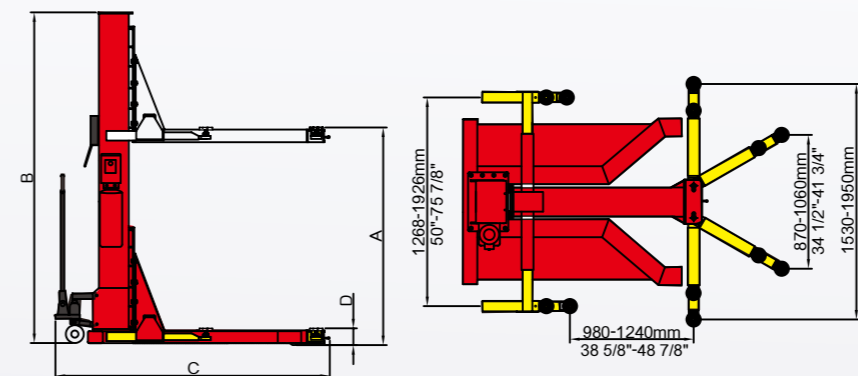


Exclusive floating roller device



Arm locking device with easy release handles.

## SPECIFICATIONS



Model	SML-7
Lifting Capacity	7,000lbs
Lifting Time	84S (110V) 32S (220V)
Lifting Height	A 72"-77 3/4"(1830mm ~ 1976mm)
Overall Height	B 108 7/8"(2766mm)
Overall Width	C 90 3/8"(2295mm)
Minimum Pad Height	D 4 3/8"(110mm)
Motor	1.0HP, 110V/60Hz, single phase 2.0HP, 220V/60Hz, single phase
Gross Weight	1,916lbs(869kg)

## AMGO HYDRAULIC CORPORATION

SC Division: 1931 Joe Rogers Jr Blvd, Manning, SC 29102, USA  
Tel: (803)505-6410

TX Division: 4310 Adler, Suite 200, Dallas, TX 75211, USA